

# Hiab 033 T

## Capacity 3.3 tm



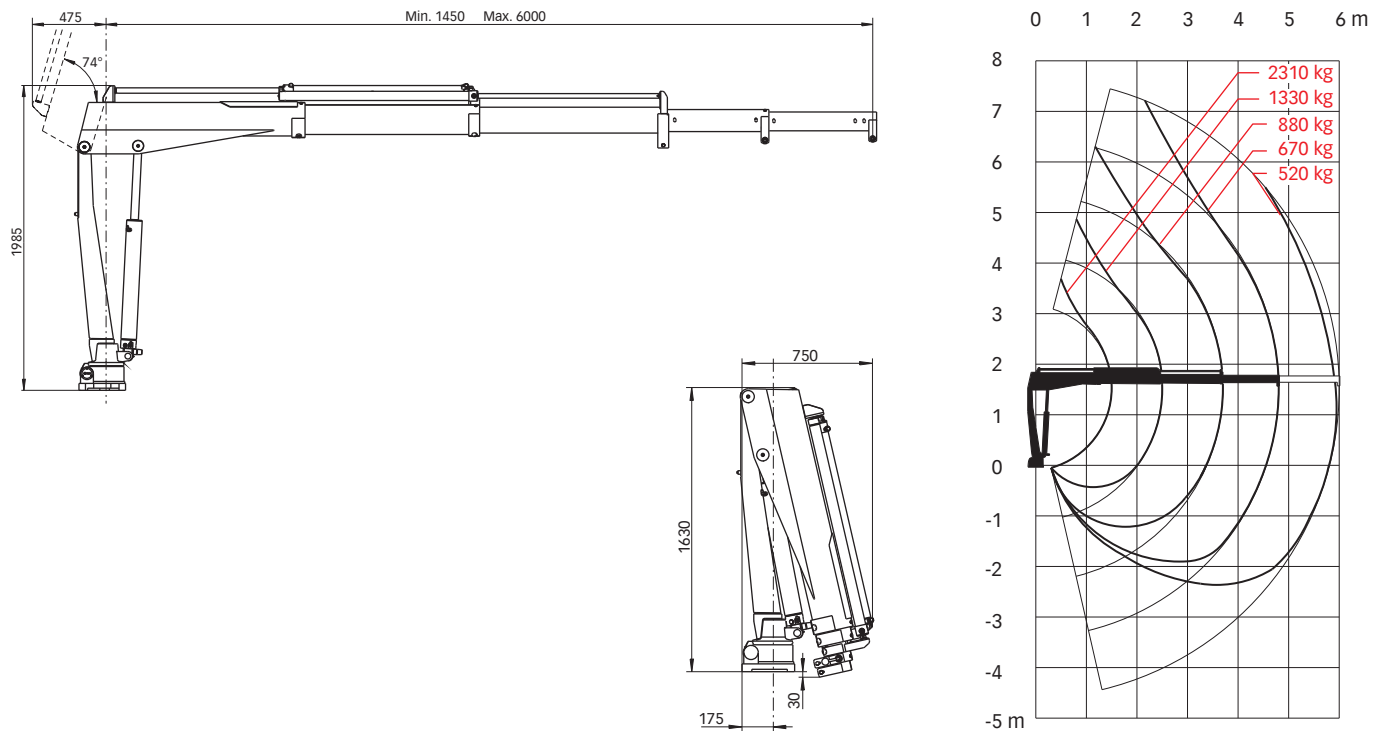
Basic data

# Hiab 033 T Basic data

## Technical data

	033 T-2	033 T-3
Max. lifting capacity (kNm)	32.8	31.7
Outreach - hydraulic extensions (m)	3.6	4.8
Outreach - manual extensions (m)	6.0	6.0
Outreach / lifting capacity (m / kg)	1.4 / 2470	1.5 / 2310
	2.4 / 1400	2.5 / 1330
	3.6 / 930	3.7 / 880
	-	4.8 / 670
Slewing angle	330°	330°
Height in folded position (mm)	1630	1630
Width in folded position (mm)	750	750
Installation space needed (mm)	-	-
Weight - "standard" crane without stabilizers (kg)	295	335
Weight - stabilizer equipment (kg)	12 - 20	12 - 20

## Hiab 033 T-3



**ARW** TRUCK EQUIPMENT LTD.

**Calgary**  
 8019 - 54th Street S.E.  
 Calgary AB T2C 4R7  
**1 (888) 843-6111**

**Edmonton**  
 9410 - 51 Avenue N.W.  
 Edmonton, AB T6E 5A6  
**1 (866) 840-9365**