

Hiab 017 T

Capacity 1.7 tm



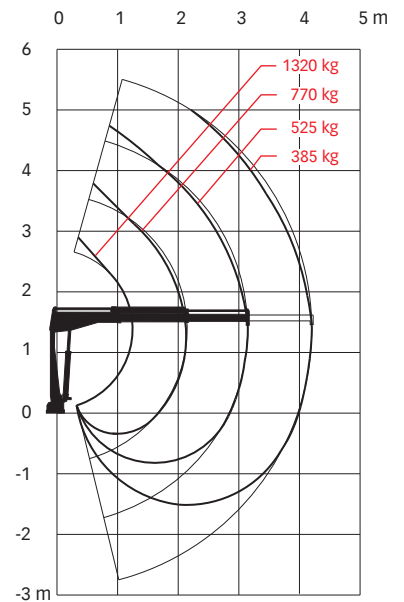
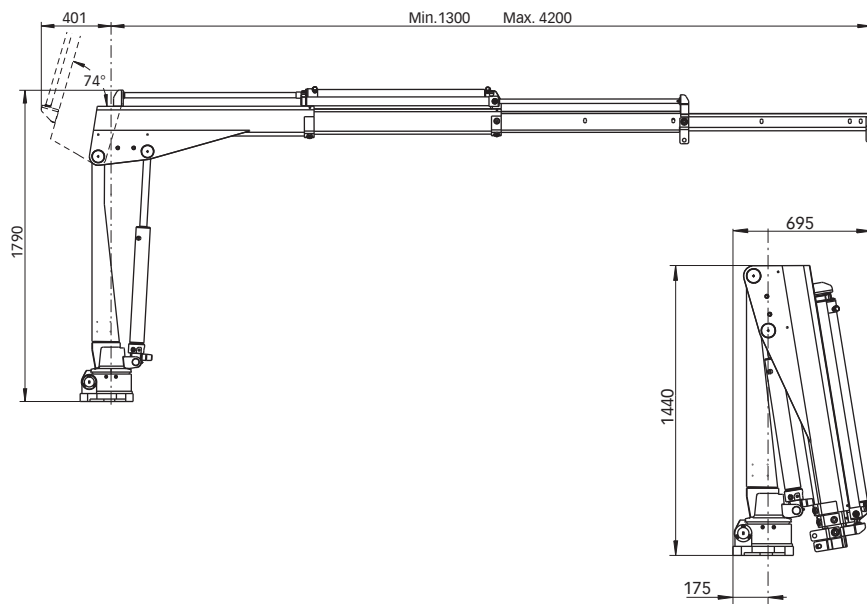
Basic data

Hiab 017 T Basic data

Technical data

	017 T-1	017 T-2
Max. lifting capacity (kNm)	16.3	16.2
Outreach - hydraulic extensions (m)	2.15	3.15
Outreach - manual extensions (m)	4.2	4.2
Outreach / lifting capacity (m / kg)	1.25 / 1320	1.25 / 1320
	2.15 / 770	2.15 / 770
	-	3.15 / 525
Slewing angle	330°	330°
Height in folded position (mm)	1440	1440
Width in folded position (mm)	695	695
Installation space needed (mm)	-	-
Weight - "standard" crane without stabilizers (kg)	190	210
Weight - stabilizer equipment (kg)	12 - 20	12 - 20

Hiab 017 T-2



ARW TRUCK EQUIPMENT LTD.

Calgary
8019 - 54th Street S.E.
Calgary AB T2C 4R7
1 (888) 843-6111

Edmonton
9410 - 51 Avenue N.W.
Edmonton, AB T6E 5A6
1 (866) 840-9365

info@arwtruck.com www.arwtruck.com