



HIAB 017 T



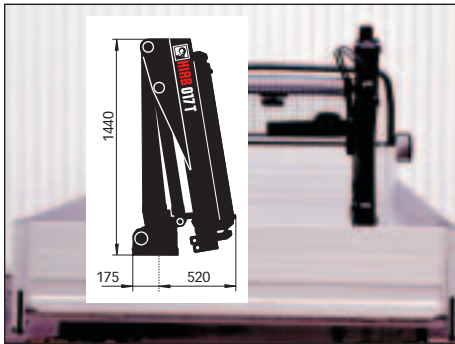
HIAB 017 T – for heavier lifts on light trucks

The HIAB 017 T is designed for single-handed on-the-spot loading and unloading of semi-heavy goods in situations where other goods-handling devices are either unavailable or inapplicable, e.g. at building sites or where the goods transported need to be placed or installed in somewhat inaccessible positions.

Hiab's more than 50 years of experience precisely in this field has been invested in the design of the HIAB 017 T. The computer-designed hexagonal boom system of the HIAB 017 T increases stability and strength in combination with low weight. The HIAB 017 T is a truck loader that can be mounted where you want it. Between the cab and the platform or anywhere on the platform itself. Thanks to the compact cast-steel base that contains the slewing system the installation

only requires 30 x 30 cm. In spite of its compact design the HIAB 017 T's working area is up to more than 3 meters and with the optional extension fitted it will reach as far as 4.2 meters where it still will handle an astonishing 385 kg. In addition, to meet increasingly demanding environmental legislation, the hydraulic system has been specially designed so it can use biodegradable, vegetable-based oil.

When you choose a HIAB 017 T from the world's biggest manufacturer of hydraulic truck loaders you do not only get a quality product which pays off in the short as well as in the long run. You also get access to the most dense service network in the business, which is comforting in the unlikely event of a breakdown.



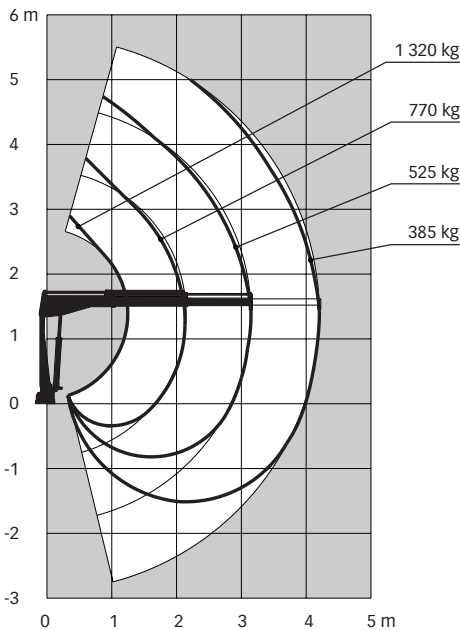
The HIAB 017 T requires the minimum of platform space, and it is so low that it goes in under most pick-up-truck covers.



The control valve and BOSS® safety and control system (on CE-marked cranes) are placed in a protective box.



The O-ring-sealed slewing housing of cast steel with an encased worm gear prevents water and dirt from entering.



Technical data

	HIAB 017 T-1	HIAB 017 T-2
Capacity class	16.3 kNm (1.7 tm)	16.2 kNm (1.6 tm)
Outreach, hydraulic	3.15 m*	3.15 m
with manual extension(s)	4.20 m	4.20 m
Lifting height above base	3.50 m	4.50 m
with manual extension(s)	5.50 m	5.50 m
Outreach/lifting capacity	1.25 m/ 1 320 kg 2.15 m/ 770 kg 3.15 m/ 525 kg*	1.25 m/ 1 320 kg 2.15 m/ 770 kg 3.15 m/ 525 kg
with manual extension(s)	4.20 m/ 385 kg	4.20 m/ 385 kg
Slewing angle	330°	330°
Weight in standard version	190 kg	210 kg
Manual support leg, short/long	12/15 kg	12/15 kg
Hydraulic support leg, short/long	15/20 kg	15/20 kg

*) with 1 hydraulic and 1 manual boom extension

The HIAB 017 T has been built to meet the highest standards of safety and service life and have been thoroughly tested. Strength calculations have been carried out in accordance with the German DIN norm 15018, crane group B 2. Hiab's CE-marked cranes comply with the EU's Machinery Directive. Hiab's certified Quality Assurance System complies with the ISO 9001.

NOTE. Some of the items we describe in our literature may be extra equipment. Certain applications may require an official permit. We reserve the right to change technical specifications without prior notice. For complete technical data, consult our folder "HIAB 017 T – Technical Data".

For more information about the HIAB 017 T, or any other Hiab crane, please contact your local Hiab distributor.



The World's No.1 Selling Articulated Crane
HIAB is a Partek Cargotec Company