

Hiab XS 244

Range 20-24 tm

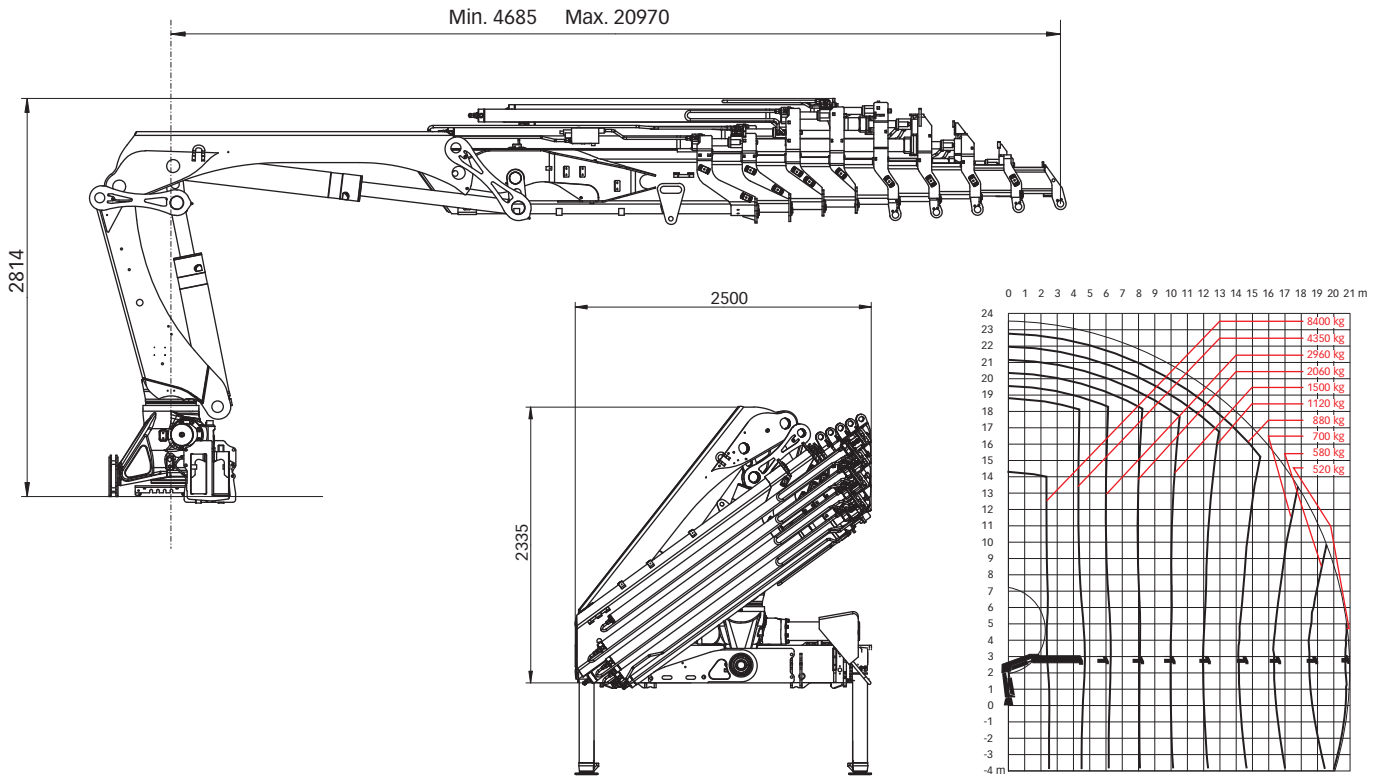


Basic data

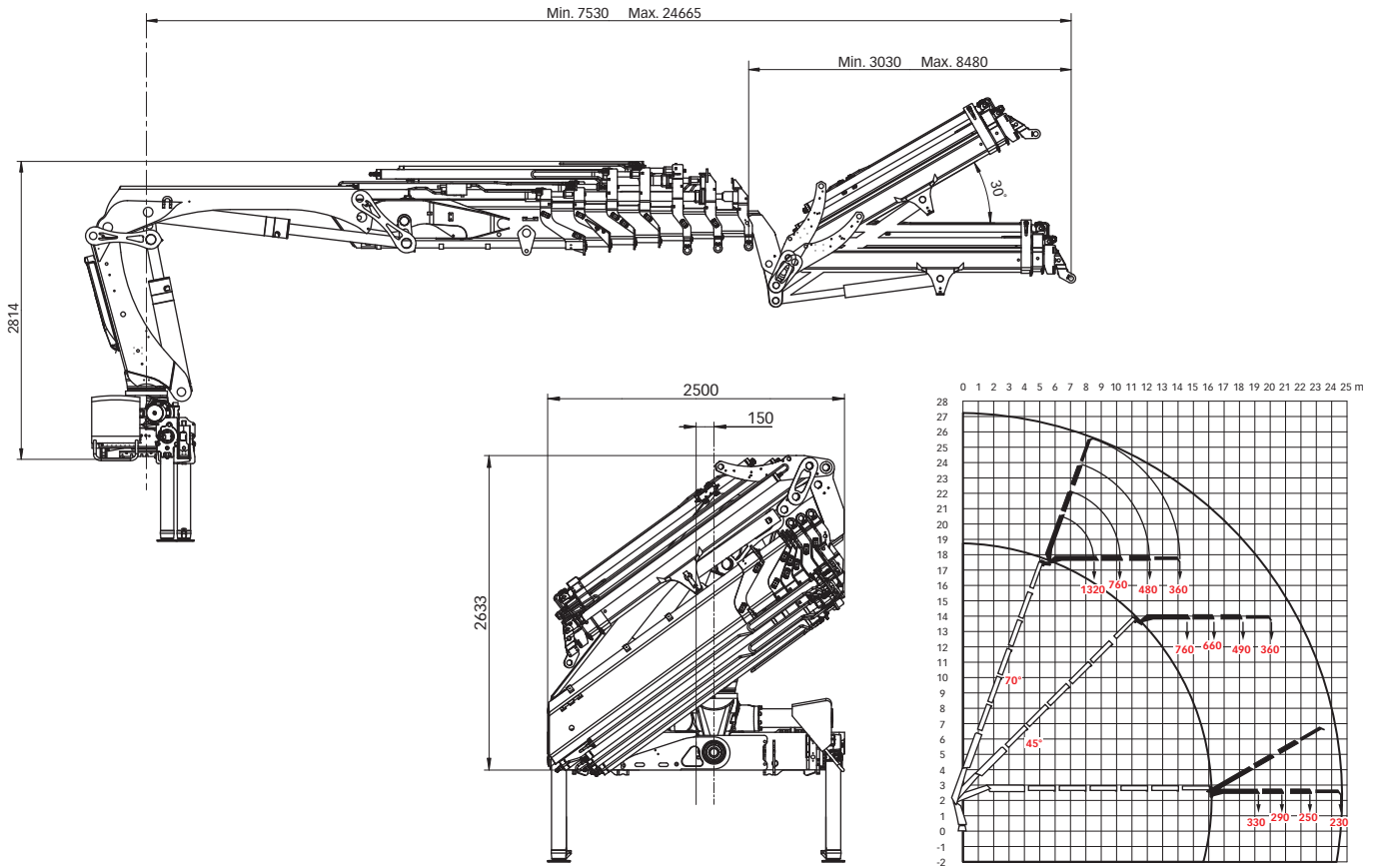
Hiab XS 244 Basic data

Technical data	EP-5 HiDuo	E-6 HiDuo	EP-4 HiPro	E-6 HiPro	E-8 HiPro
Max. lifting capacity (kNm)	211	186	208	195	185
Outreach - hydraulic extensions (m)	15.1	16.2	12.7	16.2	21.0
Outreach - manual extensions (m)	17.3	20.6	17.3	20.6	22.6
Outreach - jib (m)	-	-	-	24.7	-
Outreach / lifting capacity (m / kg)	2.5 / 8400	2.4 / 8400	2.5 / 8800	2.5 / 8400	2.4 / 8400
	4.5 / 4800	4.5 / 4600	4.4 / 5200	4.5 / 4750	4.7 / 4350
	6.2 / 3300	6.1 / 3150	6.1 / 3600	6.1 / 3300	6.3 / 2960
	8.2 / 2380	7.9 / 2280	8.1 / 2620	7.9 / 2360	8.1 / 2060
	10.4 / 1800	9.8 / 1720	10.3 / 2020	9.8 / 1800	10.0 / 1500
	12.7 / 1440	11.8 / 1340	12.6 / 1640	11.8 / 1400	12.0 / 1120
	15.0 / 1200	13.9 / 1100	-	13.9 / 1160	14.1 / 880
	-	16.1 / 920	-	16.1 / 980	16.3 / 700
	-	-	-	-	18.6 / 580
	-	-	-	-	20.9 / 520
Outreach / lifting capacity, with Jib (m / kg)	-	-	-	19.2 / 330	-
	-	-	-	20.8 / 290	-
	-	-	-	22.7 / 250	-
	-	-	-	24.6 / 230	-
Slewing angle	410°	410°	410°	410°	410°
Height in folded position (mm)	2335	2335	2335	2335	2335
Width in folded position (mm)	2500	2500	2495	2500	2500
Installation space needed (mm)	1166	1256	1242	1256	1199
Weight - "standard" crane without stabilizers (kg)	2940	3150	2860	3210	3540
Weight - stabilizer equipment (kg)	389 - 464	381 - 474	381 - 474	381 - 474	381 - 474
Weight - jib (kg)	-	-	-	450	-

Hiab XS 244 E-8 HiPro



Hiab XS 244 E-6 HiPro jib 45X-3





Calgary

8019 - 54th Street S.E.
Calgary AB T2C 4R7
1 (888) 843-6111

Edmonton

9410 - 51 Avenue N.W.
Edmonton, AB T6E 5A6
1 (866) 840-9365

info@arwtruck.com www.arwtruck.com