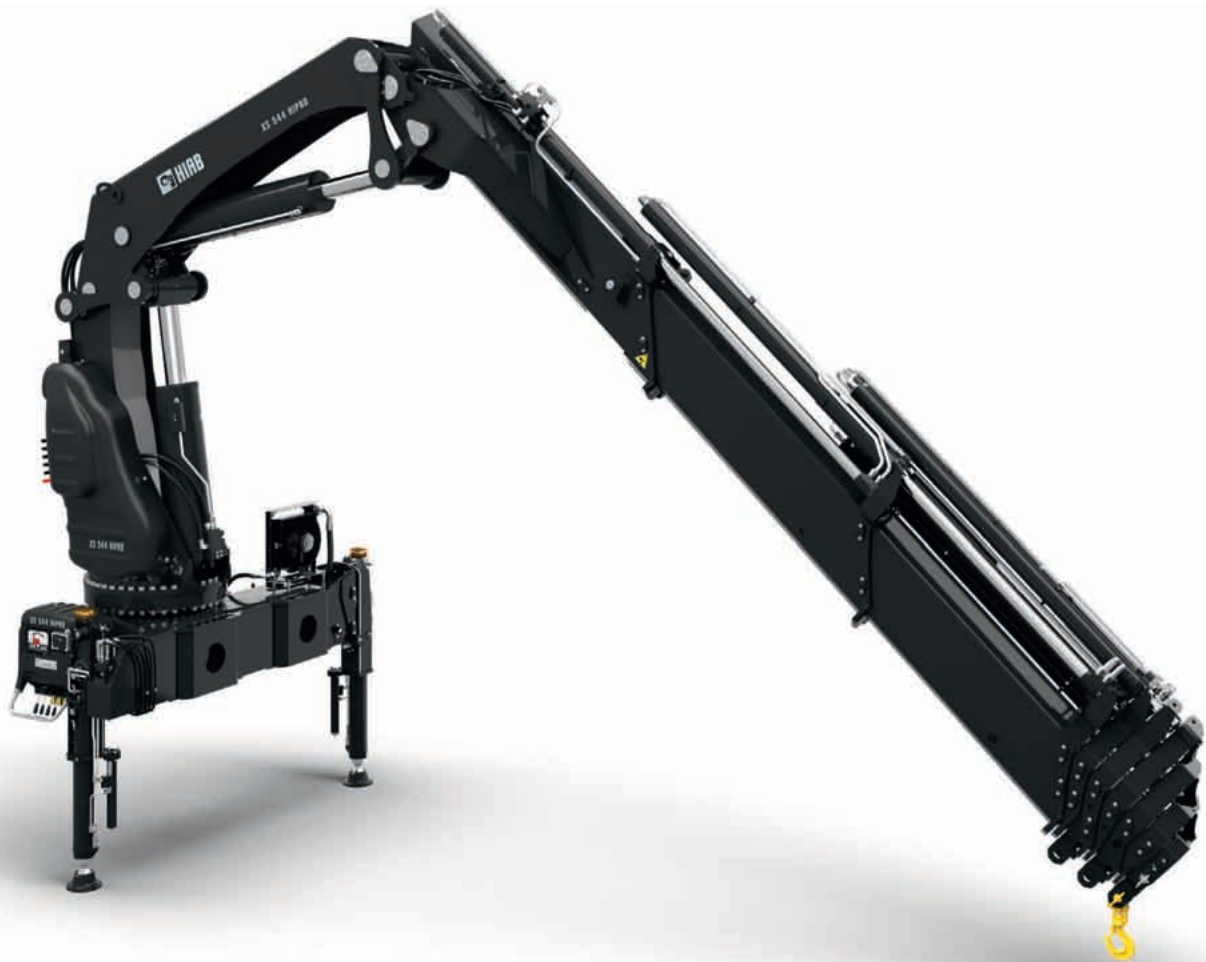


# HIAB XS 544

**RANGE 51 TM**

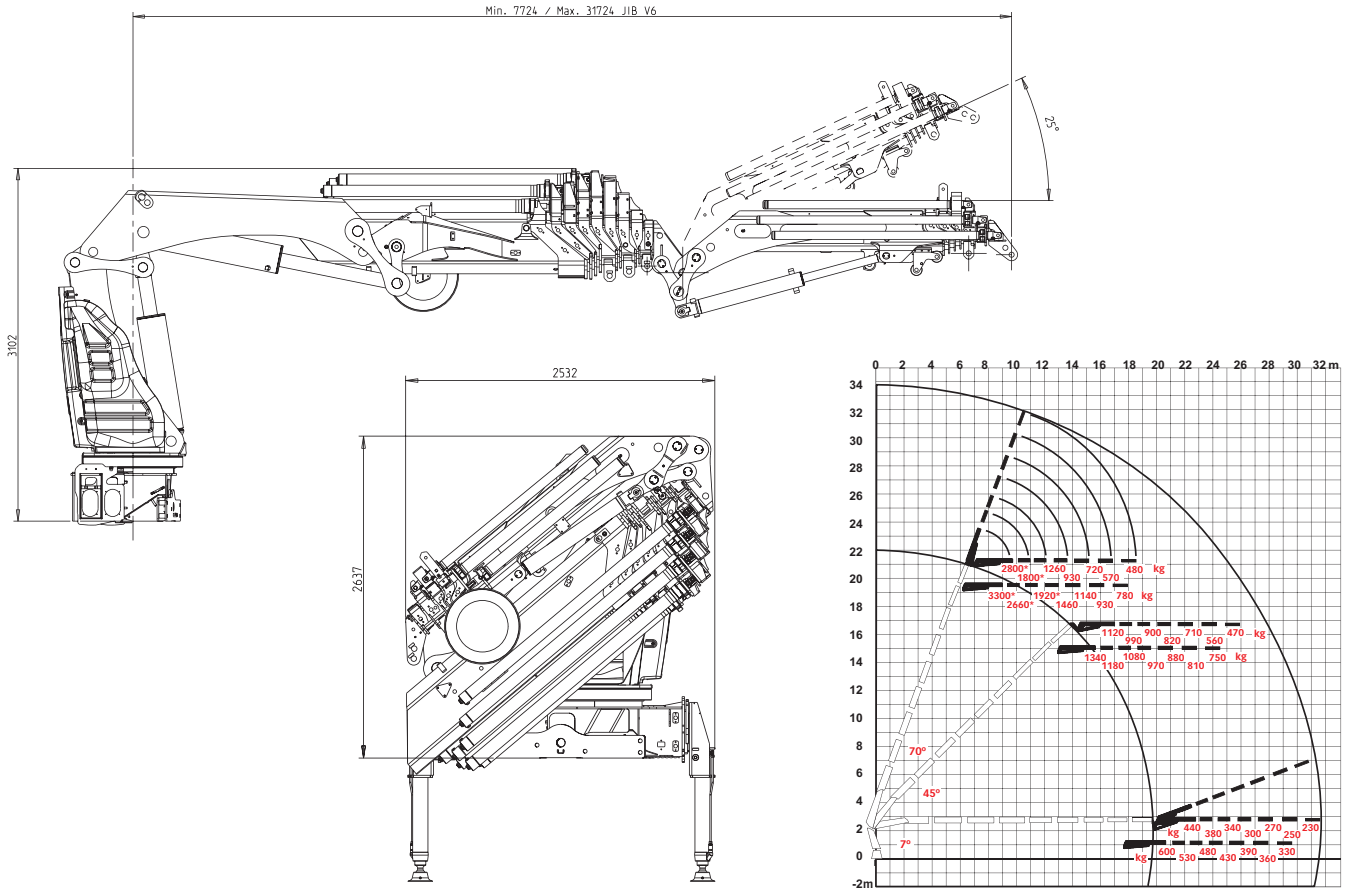


# HIAB XS 544 BASIC DATA

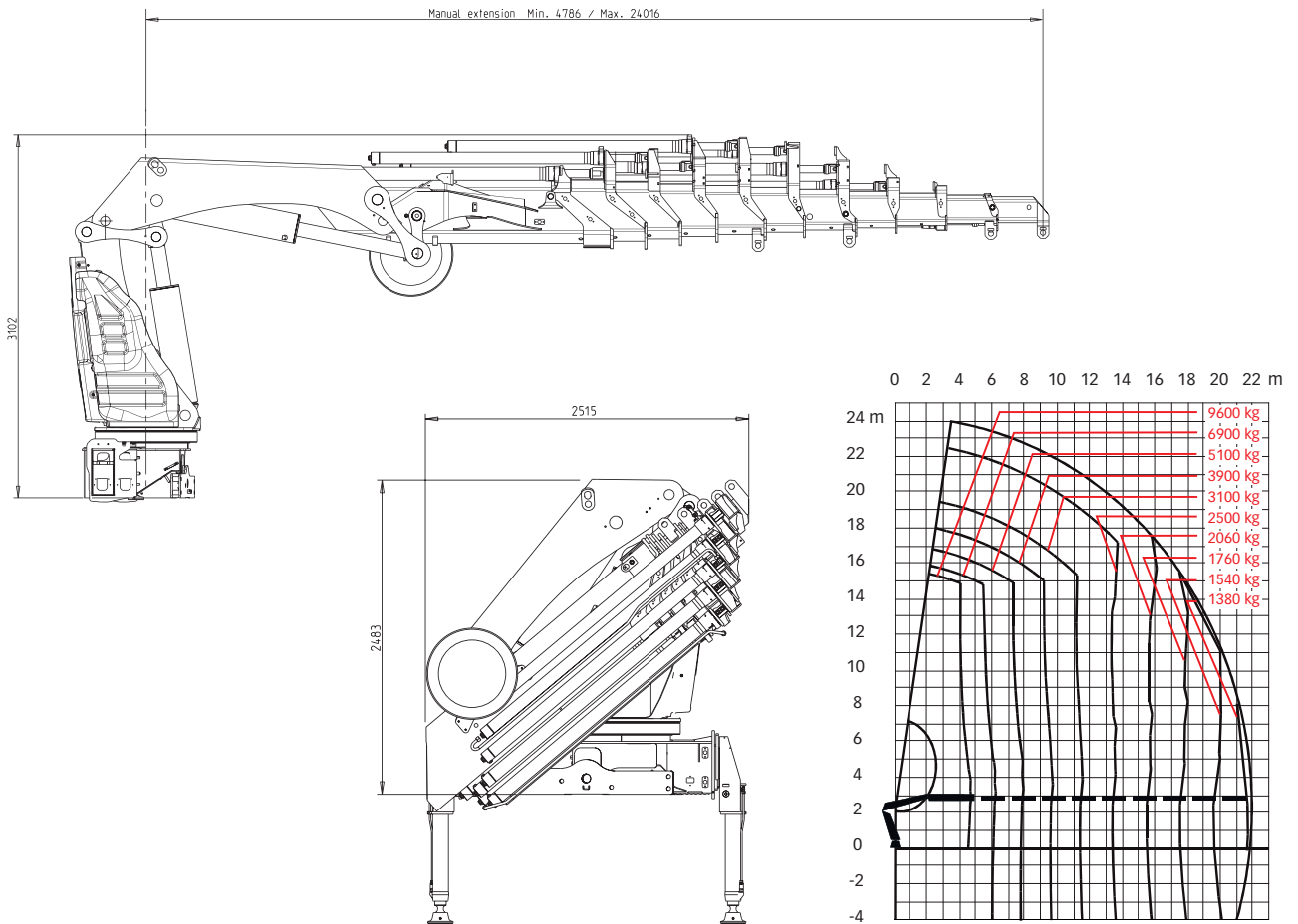
Technical data	E-6 HiPro	E-8 HiPro*	E-9 HiPro
Max. lifting capacity (kNm)	462	449	444
Outreach, hydraulic extensions (m)	15.4	19.6	21.8
Outreach, manual extensions (m)	-	-	24.0
Outreach, with jib (m)	27.6	31.7	-
Outreach / lifting capacity (m/kg)	4.4 / 10700	4.6 / 9900	4.7 / 9600
	5.9 / 7800	6.1 / 7200	6.2 / 6900
	7.6 / 5800	7.8 / 5300	7.9 / 5100
	9.4 / 4550	9.6 / 4100	9.7 / 3900
	11.2 / 3750	11.4 / 3300	11.5 / 3100
	13.2 / 3100	13.4 / 2680	13.5 / 2500
	15.3 / 2680	15.5 / 2240	15.6 / 2060
	-	17.5 / 1940	17.6 / 1760
	-	19.6 / 1720	19.7 / 1540
-	-	21.7 / 1380	
Outreach / lifting capacity, manual extension (m / kg)	-	-	24.0 / 800
Outreach / lifting capacity, with jib (m / kg)	18.7 / 1160	22.7 / 440	-
	20.0 / 1060	24.0 / 380	-
	21.3 / 960	25.3 / 340	-
	22.7 / 880	26.7 / 300	-
	24.2 / 820	28.2 / 270	-
	25.9 / 740	29.9 / 250	-
	27.6 / 700	31.6 / 230	-
Slewing angle (°)	endless	endless	endless
Height in folded position, with / without jib (mm)	2642 / 2490	2637 / 2490	2490
Width in folded position, with / without jib (mm)	2527 / 2515	2532 / 2515	2515
Width in folded position, with manual extension (mm)	-	-	2537
Installation space needed, with / without jib (mm)	1623 / 1456	1623 / 1502	1502
Installation space needed (including rotation space), with/without jib (mm)	1785 / 1618	1785 / 1664	1664
Weight, "standard" crane, without stabilisers (kg)	4885	5301	5482
Weight, jib (kg)	1324	1324	-
Weight, manual extension (kg)	-	-	100
Weight, stabiliser equipment (kg)	854 - 983	854 - 983	854 - 983

\*Jib with Dual Capacity (JDC).

# Hiab XS 544 E-8 Jib150X-6 JDC



# Hiab XS 544 E-9 HiPro





**Atlas Polar**  
IT'S ALL ABOUT QUALITY™

Atlas Polar Company Ltd.  
60 Northline Road  
Toronto, ON M4B 3E5  
Canada  
**1-888-799-4422**  
info@atlaspolar.com  
www.atlaspolar.com