

# HIAB Z-PRO 171



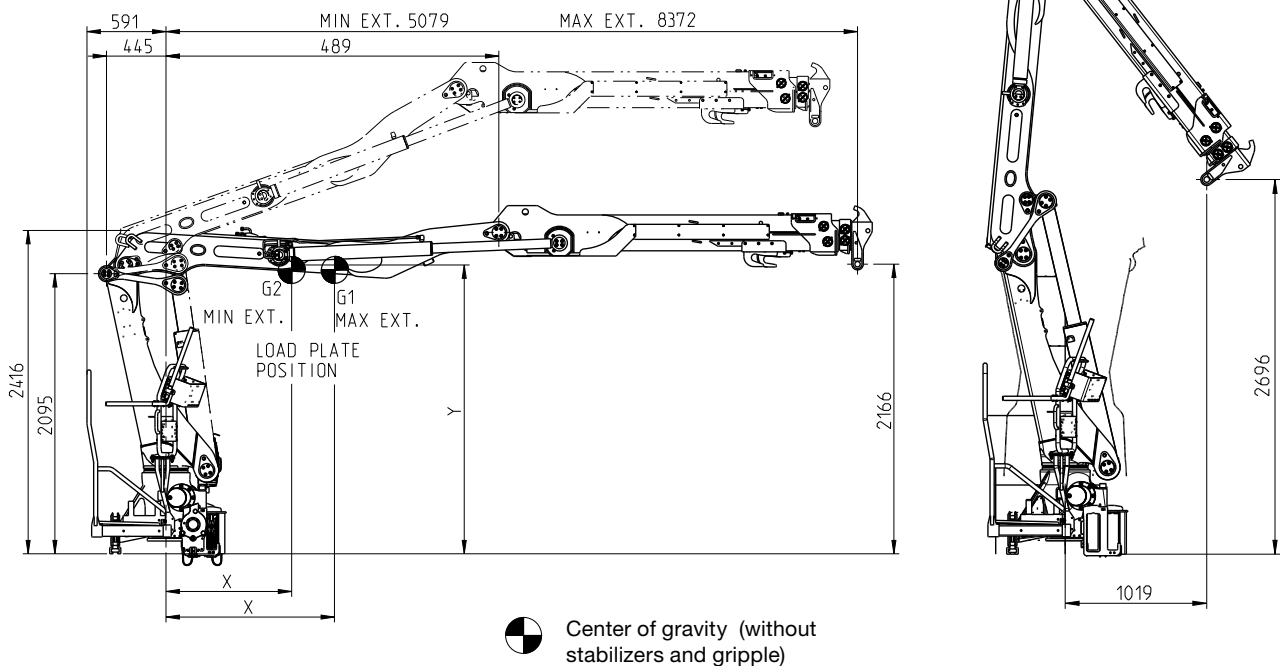
# HIAB Z-PRO 171 BASIC DATA

Technical data	HIAB Z-PRO 171
Lifting capacity (kNm)	160
Hydraulic extension outreach (m)	8.4
Weight (kg)	2670
Height Stretched (mm)	2604
Free load space (mm)	2062
Min outreach (mm)	5172
Max outreach (mm)	8372
Hook pos at 1019 (mm)	2696
Height folded (mm)	2501
Width folded (mm)	2542
Installation space needed	1041
Operation	Manual
HPL link	Yes
ASC	No
PFD	No
Variable pump	Yes
Three-point bridge	Yes
Integrated slew sensor	Yes
Folding within truck dimensions	Yes

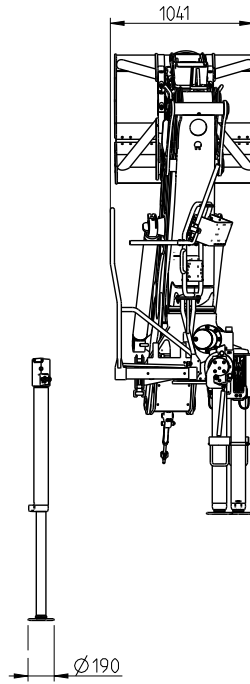
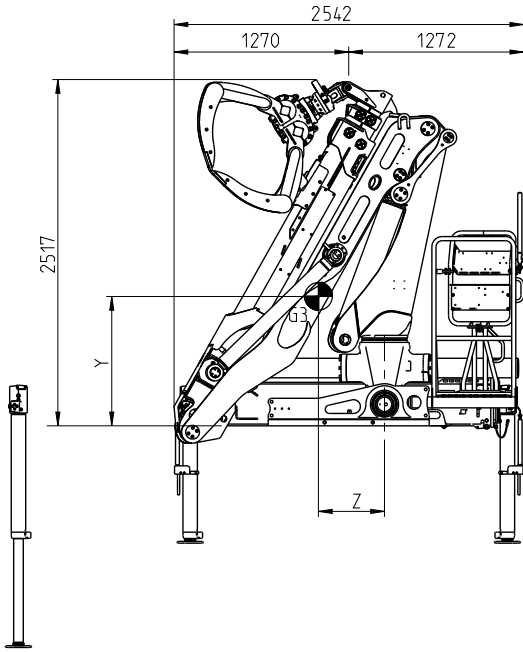
*This table shows a few examples of models, and represents some of all options available. With the opportunity to configure your crane, we can provide you with a crane perfectly tailored to your needs.*

*Please contact your local dealer for more information on the variety of options we can offer.*

## HIAB Z-PRO 171

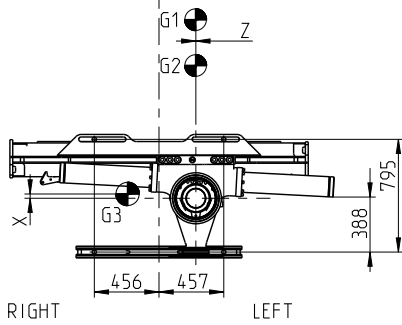
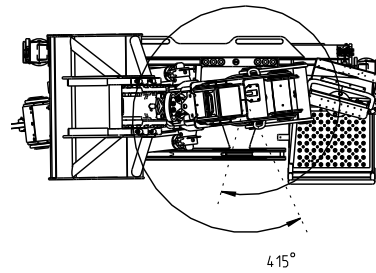
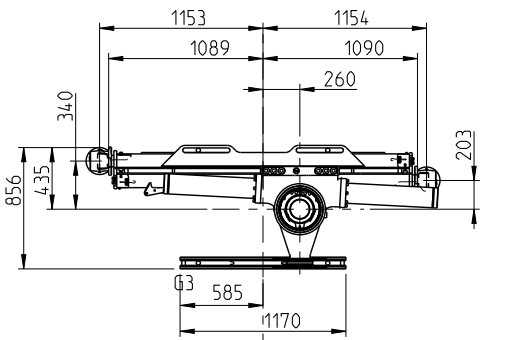
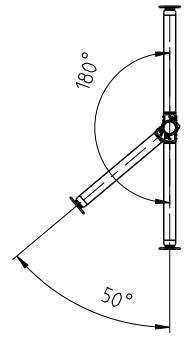
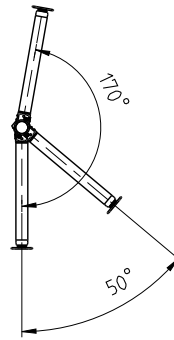


	X	Y	Z
G1	1260	2160	0
G2	940	2160	0



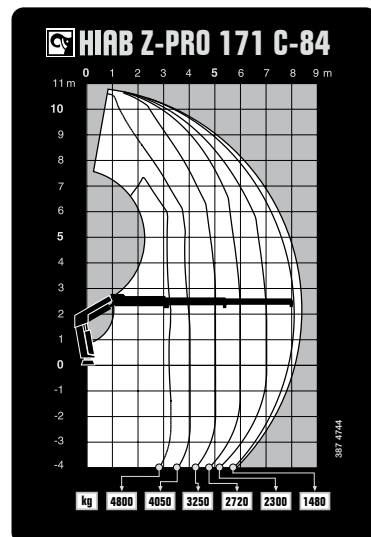
LEFT

RIGHT

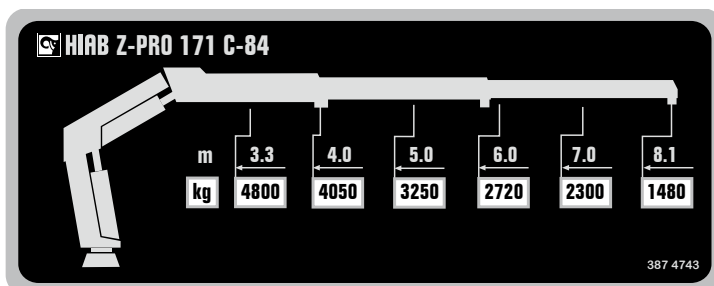


	X	Y	Z
G3	30	940	-480

Load diagram HIAB Z-PRO 171



Capacity plate HIAB Z-PRO 171





**Calgary**

8019 - 54th Street S.E.  
Calgary AB T2C 4R7  
**1 (888) 843-6111**

**Edmonton**

9410 - 51 Avenue N.W.  
Edmonton, AB T6E 5A6  
**1 (866) 840-9365**

[info@arwtruck.com](mailto:info@arwtruck.com) [www.arwtruck.com](http://www.arwtruck.com)